

## Full HD 180° IP Camera

180° / 1080P / Day & Night



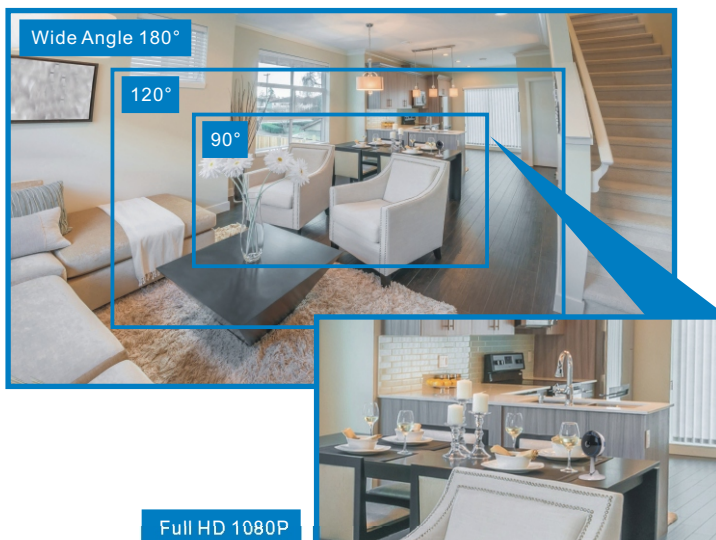
LC-6863



Cover every angle of your home and business with full HD picture quality.

The Eye180 Full HD 180° Wi-Fi IP Camera delivers superior full HD 1080P video for 24-hour monitoring.

The Eye180's wireless capability means you can mount the camera in any place within the range of your wireless network. With the built-in micro SD card slot, you can record video so you never miss a moment.



### Superior Picture Quality

1080P high quality picture with a low bit rate.



### Incredible Field of View

Thanks to 180° lens (horizontal), you don't miss a thing.



### Night Vision

Built-in IR cut filter and IR LED.



### Advanced Video Motion Detection

Send intelligent alerts when motion detection is triggered.



### Two-way Audio

Built-in microphone & speaker.



### Simple Setup

Connects to Wi-Fi via WPS and watch live streaming in a minute.



### Adjustable Mount

Perfect fit for any places and hassle-free installation.



### Local Storage & Playback

Support micro SD card and playback from app without monthly fee.



### Free Mobile App

Available on Google Play and App Store.



# Full HD 180° IP Camera LC-6863

## SPECIFICATIONS

### Camera

- Lens: Fixed Wide Angle Lens.
- Wireless: IEEE 802.11 b/g/n.

### Image

- Video Compression: H.264 / MJPEG.
- Resolution:
  - Aspect ratio:  
"16:9":1920x1080, 1280x720, 800x448, 640x360,
- Profiles: 2.
- Frame rate: Maximum 30 fps.
- Image settings:
  - Adjustable image size, quality, and bit rate.
  - Flip & Mirror.
  - AGC, AWB.
  - Time stamp and text caption overlay.
  - Privacy masks.
  - Exposure Mode.
- Video management software:  
SDK, including HTTP-API / ActiveX / ONVIF.

### Audio

- Audio streaming: Two-way.
- Compression: G.711u / AAC.
- Built-in Microphone & Speaker.

### Network

- Security: 3-level password protections, IP address filtering, HTTPS encryption, User access log.
- Protocols: IPv4, HTTPS, HTTP, TCP, UDP, RTSP, RTP, RTCP, DHCP, NTP, FTP, SMTP, UPnP, Samba.
- Users: Access by 10 simultaneous users.
- Firmware update: SD card / HTTP.

### Alarm

- Recording: SD card, SAMBA, FTP.
- Supports Pre-alarm recording.
- Advanced motion: (512 zones, Sensitivity: 0~100 %).
- Trigger: Motion detection, Schedule, Ethernet loss.
- Notification: SD card recording, SMTP, FTP, HTTP, Alarm output.

### Indicators

- Supports Power & Net LED.
- Supports WPS LED.

### Buttons

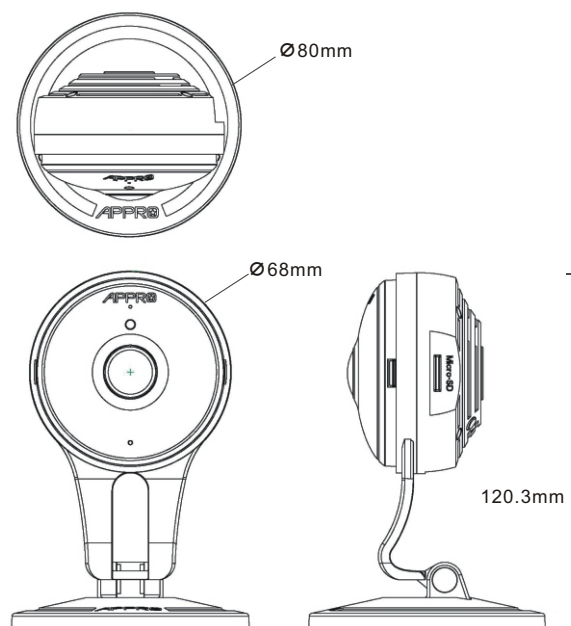
- Supports Reset button(factory default).
- Supports WPS button.

### Day & Night

- Supports IR LED.
- Supports IR cut filter.
- Supports light sensor.
- Mode: Auto / Day / Night / Schedule.

### General

- Power consumption:  $\leq 6W$ .
- Power:
  - 5V DC .
- Local storage: Micro SD card slot.
- OS: Linux.
- Operating conditions: 0°C to 40°C(32°F to 104°F).
- Approvals: CE, FCC, RoHS.
- Dimensions: 120.3 x 80mm.
- Package Weight: 400g.
- Accessories included:
  - Quick Installation Guide.
  - CD x 1 (includes User's Manual).
  - Power adapter: (Input: 100-240 VAC, 50 / 60 Hz, Output: 5VDC, 1.2A ).



\*Design and specifications are subject to change without notice.

APPRO TECHNOLOGY INC.

www.approtech.com

Taiwan Headquarter  
13F, No. 66, Zhongzheng Rd., Xinzhuang Dist., New Taipei City, Taiwan.  
Tel : 886-2-8992-1177 Fax : 886-2-8992-0077  
E-mail : appro@approtech.com  
Web site:www.approtech.com

Office in U.S  
1180 Miraloma Way Suite E, Sunnyvale, CA 94085.  
Tel : 1-408-720-0018 Fax : 1-408-720-0019  
E-mail : approu@aol.com  
Web site:www.appro-us.com

**APPRO**<sup>®</sup>  
TECHNOLOGY