

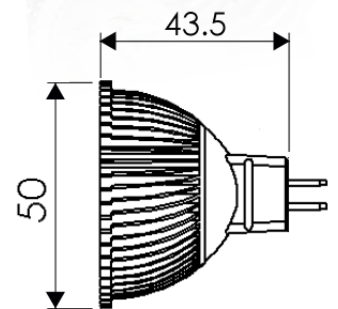
CCB1-05

5W GU5.3 Base MR16 LED Spotlight Bulb

- ★ Suitable for 12V AC/DC
- ★ Equal to 50W Conventional MR16
- ★ Excellent cooling system
- ★ Energy Saving and environment-friendly
- ★ Fully compatible with halogen MR16
- ★ Long lifetime up to 30,000 hours
- ★ No UV and IR Radiation
- ★ Harmless for paintings and antiques



5W LED Driver



Model Number	CCB1-05-GU5.3-45CW	CCB1-05-GU5.3-45WW
Power Consumption	5W	5W
Input Voltage	12V AC/DC	12V AC/DC
Body Material	Aluminum	Aluminum
Luminous Flux	400 Lm	350 Lm
Color	Cool White	Warm White
Color Temperature	5000K-5650K	2700K-2850K
Working temperature	-20°C ~ +40°C	-20°C ~ +40°C
CRI	80	80
Beam angle	45 degree	45 degree
Base	GU5.3	GU5.3
Dimensions	Φ50x51mm(DxH)	Φ50x51mm(DxH)
Weight	42g	42g



E27 LED Light Bulb



CCB2-10-E27

10W E27 LED Light Bulb

Equal to 70W incandescent bulb



CCB2-13-E27

13W E27 LED Light Bulb

Equal to 80W incandescent bulb



CCB2-16-E27

16W E27 LED Light Bulb

Equal to 100W incandescent bulb

- ★ Suitable for 100~240VAC
- ★ Excellent cooling system
- ★ Energy Saving and environment-friendly
- ★ Fully compatible with halogen E27
- ★ Long lifetime up to 15,000 hours
- ★ No UV and IR Radiation
- ★ Harmless for paintings and antiques

Model Number	CCB2-10-E27		CCB2-13-E27		CCB2-16-E27	
Power Consumption	10W		13W		16W	
Input Voltage	100~240VAC		100~240VAC		100~240VAC	
Body Material	Aluminum + PC Cover		Aluminum + PC Cover		Aluminum + PC Cover	
Color Temperature	6500K	3000K	6500K	3000K	6500K	3000K
	Daylight	Warm White	Daylight	Warm White	Daylight	Warm White
Luminous Flux	1000lm	860lm	1250lm	1150lm	1600lm	1500lm
Working temperature	-20°C ~ +40°C		-20°C ~ +40°C		-20°C ~ +40°C	
CRI	≥ 80		≥ 80		≥ 80	
Beam angle	270 degree		270 degree		270 degree	
Base	E27		E27		E27	
Dimensions	Diameter 60mm × Height 113mm		Diameter 65mm × Height 125mm		Diameter 70mm × Height 130mm	
Weight	58g		76g		113g	



AR111 LED Spotlight Bulb



- ★ Suitable for 90~260VAC
- ★ Excellent cooling system
- ★ Energy Saving and environment-friendly
- ★ Fully compatible with halogen G53
- ★ Long lifetime up to 30000 hours
- ★ No UV and IR Radiation
- ★ Harmless for paintings and antiques

10W AR111 LED Spotlight Bulb

Equal to 50W Conventional AR111

14W AR111 LED Spotlight Bulb

Equal to 70W Conventional AR111

Model Number	CCB3-10-G53		CCB3-14-G53	
Power Consumption	10W±10%		14W±10%	
LED Quantity	1Wx7pcs		2Wx7pcs	
Input Voltage	100~240VAC		100~240VAC	
Body Material	Aluminum		Aluminum	
Color Temperature	5000K-5650K	2700K-2850K	5000K-5650K	2700K-2850K
	Cool White	Warm White	Cool White	Warm White
Luminous Flux	750 Lm	700 Lm	1400 Lm	1300 Lm
Working temperature	-20°C ~ +40°C		-20°C ~ +40°C	
CRI	≥ 80		≥ 80	
Beam angle	45 degree		45 degree	
Base	G53		G53	
Dimensions	Diameter 111mm × Height 67mm		Diameter 111mm × Height 67mm	
Weight	280g		280g	

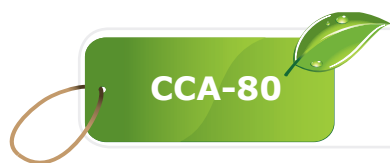
CCB4-10

10W PAR30 LED Spotlight Bulb



- ★ Suitable for 90~260VAC
- ★ Equal to 50W Conventional PAR30
- ★ Excellent cooling system
- ★ Energy Saving and environment-friendly
- ★ Fully compatible with halogen E27
- ★ Long lifetime up to 30000 hours
- ★ No UV and IR Radiation
- ★ Harmless for paintings and antiques

Model Number	CCB4-10-E27-45CW	CCB4-10-E27-45WW
Power Consumption	10W	10W
LED Quantity	1Wx7pcs	1Wx7pcs
Input Voltage	100~240VAC	100~240VAC
Body Material	Aluminum	Aluminum
Color Temperature	5000K-5650K	2700K-2850K
Color	Cool White	Warm White
Luminous Flux	750 Lm	700 Lm
Working temperature	-20°C ~ +40°C	-20°C ~ +40°C
CRI	≥ 80	≥ 80
Beam angle	45 degree	45 degree
Base	E27	E27
Dimensions	Diameter 95mm × Length 100mm	Diameter 95mm × Length 100mm
Weight	228g	228g



T8 LED Tube



- ★ Suitable for 100~240VAC
- ★ Excellent cooling system
- ★ Energy Saving and environment-friendly
- ★ Fully compatible with conventional T8 tube
- ★ Long lifetime up to 30000 hours
- ★ No UV and IR Radiation
- ★ Lower power consumption and higher light efficiency

- ▶ Base: G13 (T8)
- ▶ Power Factor: >0.9
- ▶ Avg. Life: 30,000 hours
- ▶ Beam angle: 270 degree

5W 1ft T8 LED Tube

Equal to 1ft T8 LED Tube

9W 2ft T8 LED Tube

Equal to 2ft T8 LED Tube

Model Number	CCA-8010			CCA-8020		
Power Consumption	5W			9W		
Input Voltage	90~265 VAC			90~265 VAC		
Body Material	Plastic Cover optical lens + Anodizing Aluminum			Plastic Cover optical lens + Anodizing Aluminum		
Color	6000K	4000K	3000K	6000K	4000K	3000K
Color Temperature	Daylight	Natural White	Warm White	Daylight	Natural White	Warm White
Luminous Flux	570 Lm	510 Lm	510 Lm	900 Lm	850 Lm	850 Lm
Working temperature	-20°C ~ +40°C			-20°C ~ +40°C		
CRI	≥ 80			≥ 80		
Dimensions	Diameter 26mm × Length 330mm			Diameter 26mm × Length 580mm		
Weight	100g			200g		

13W 3ft T8 LED Tube

Equal to 3ft T8 LED Tube

18W 4ft T8 LED Tube

Equal to 4ft T8 LED Tube

Model Number	CCA-8030			CCA-8040		
Power Consumption	13W			18W		
Input Voltage	90~265 VAC			90~265 VAC		
Body Material	Plastic Cover optical lens + Anodizing Aluminum			Plastic Cover optical lens + Anodizing Aluminum		
Color	6000K	4000K	3000K	6000K	4000K	3000K
Color Temperature	Daylight	Natural White	Warm White	Daylight	Natural White	Warm White
Luminous Flux	1300 Lm	1210 Lm	1210 Lm	1850 Lm	1700 Lm	1700 Lm
Working temperature	-20°C ~ +40°C			-20°C ~ +40°C		
CRI	≥ 80			≥ 80		
Dimensions	Diameter 26mm × Length 894mm			Diameter 26mm × Length 1200mm		
Weight	300g			400g		



4" & 5" LED Downlight



- ★ Suitable for 90~265VAC
- ★ Excellent cooling system
- ★ Energy Saving and environment-friendly
- ★ Easy Installation
- ★ Long lifetime up to 30000 hours
- ★ No UV and IR Radiation
- ★ Lower power consumption and higher light efficiency

LED Downlight 10W 4-inch

95mm Installation Size

LED Downlight 12W 5-inch

120mm Installation Size

Model Number	CCB-D-0910			CCB-D-1212		
Power Dissipation	10W			12W		
Input Voltage	90~265VAC			90~265VAC		
Color Temperature	6000K	4000K	3000K	6000K	4000K	3000K
Luminous Flux	940(lm)	850(lm)	850(lm)	1170(lm)	1050(lm)	1050(lm)
Working temperature	-20°C ~ +40°C			-20°C ~ +40°C		
Beam Angle	120 degree			120 degree		
Avg. Life	30,000 hours			30,000 hours		
CRI	≥ 80			≥ 80		
Housing Material	PC cover +Aluminum			PC cover +Aluminum		
Installation Size	95mm (4 inches)			120mm (5 inches)		
Dimension	Diameter 106mm × Height 33.2mm			Diameter 140mm × Height 38.6mm		
Weight	91g			130g		

Daylight: 6000K, Natural White: 4000K, Warm White: 3000K

CCB-D-15

6" LED Downlight



- ★ Suitable for 90~264VAC
- ★ Excellent cooling system
- ★ Energy Saving and environment-friendly
- ★ Easy Installation
- ★ Long lifetime up to 30000 hours
- ★ No UV and IR Radiation
- ★ Lower power consumption and higher light efficiency

LED Downlight 10W 6-inch

150mm Installation Size

LED Downlight 13W 6-inch

150mm Installation Size

Model Number	CCB-D-1510		CCB-D-1513	
Housing Color	White		White	
Power Dissipation	10W		13W	
Input Voltage	90~265VAC		90~265VAC	
Color Temperature	6000K-6500K	2800K-3300K	6000K-6500K	2800K-3300K
	Daylight	Warm White	Daylight	Warm White
Luminous Flux	900(lm)	850(lm)	1200(lm)	1070(lm)
Working temperature	-20°C ~ +40°C		-20°C ~ +40°C	
Beam Angle	120 degree		120 degree	
Avg. Life	30,000 hours		30,000 hours	
CRI	≥ 80		≥ 80	
Housing Material	PC cover +Aluminum		PC cover +Aluminum	
Installation Size	150mm (6 inches)		150mm (6 inches)	
Dimension	Diameter 176mm × Height 31mm		Diameter 176mm × Height 31mm	
Weight	185g		185g	