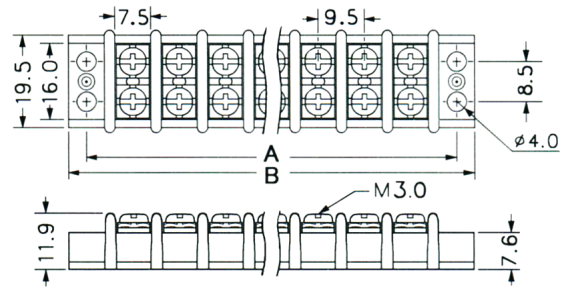


### CB4-10A

Double Row Terminal Blocks 10A

1. Product Type: Barrier Strip, Double Row
2. Insulation resistance: 500MΩ or more at DC500V
3. Wire Range: 12~18 AWG
4. Max. Torque Value: 10Kg/cm
5. Number of Rows: 2



Electrical Rating	10A, 300VAC
Housing Material	Plastic NYLON 66
Terminal	Brass, Nickel Plated
Screw	Steel, M3, Nickel Plated
Working Temperature	-40°C to +105°C
Insul. withstand Voltage	AC2000V at 1 min
Poles	2P~28P
Pitch (terminal to terminal)	9.5mm

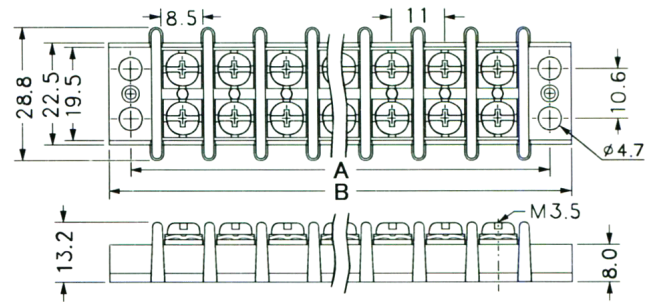
Unit : mm

Poles	2	3	4	5	6	7	8	9	10
A	28.5	38	47.5	57	66.5	76	85.5	95	104.5
B	36	45.5	55	64.5	74	83.5	93	102.5	112
Poles	11	12	13	14	15	16	17	18	19
A	114	123.5	133	142.5	152	161.5	171	180.5	190
B	121.5	131	140.5	150	159.5	169	178.5	188	197.5
Poles	20	21	22	23	24	25	26	27	28
A	199.5	209	218.5	228	237.5	247	256.5	266	275.5
B	207	216.5	226	235.5	245	254.5	264	273.5	283

### CB4-20A

Double Row Terminal Blocks 20A

1. Product Type: Barrier Strip, Double Row
2. Insulation resistance: 500MΩ or more at DC500V
3. Wire Range: 12~18 AWG
4. Max. Torque Value: 12Kg/cm
5. Number of Rows: 2



Electrical Rating	20A, 300VAC
Housing Material	Plastic NYLON 66
Terminal	Brass, Nickel Plated
Screw	Steel, M3.5, Nickel Plated
Working Temperature	-40°C to +105°C
Insul. withstand Voltage	AC2000V at 1 min
Poles	2P~26P
Pitch (terminal to terminal)	11mm

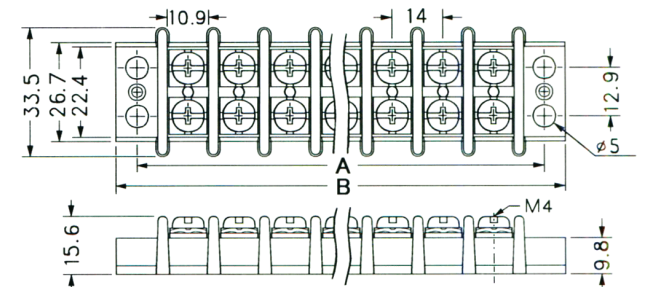
Unit : mm

Poles	2	3	4	5	6	7	8	9	10
A	33	44	55	66	77	88	99	110	121
B	41	52	63	74	85	96	107	118	129
Poles	11	12	13	14	15	16	17	18	19
A	132	143	154	165	176	187	198	209	220
B	140	151	162	173	184	195	206	217	228
Poles	20	21	22	23	24	25	26		
A	231	242	253	264	275	286	297		
B	239	250	261	272	283	294	305		

### CB4-30A

Double Row Terminal Blocks 30A

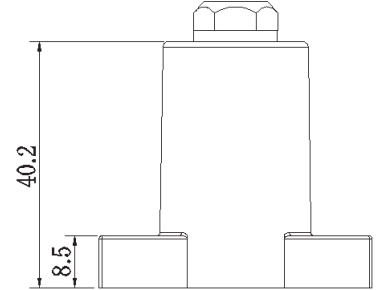
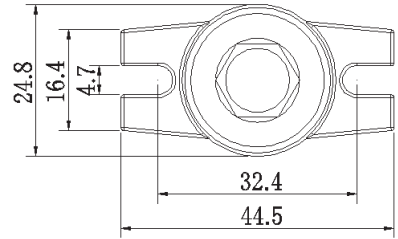
1. Product Type: Barrier Strip, Double Row
2. Insulation resistance: 500MΩ or more at DC500V
3. Wire Range: 12~18 AWG
4. Max. Torque Value: 18Kg/cm
5. Number of Rows: 2



Electrical Rating	30A, 300VAC
Housing Material	Plastic NYLON 66
Terminal	Brass, Nickel Plated
Screw	Steel, M4, Nickel Plated
Working Temperature	-40°C to +105°C
Insul. withstand Voltage	AC2000V at 1 min
Poles	2P~24P
Pitch (terminal to terminal)	14mm

Unit : mm

Poles	2	3	4	5	6	7	8	9	10
A	42	56	70	84	98	112	126	140	154
B	52	66	80	94	108	122	136	150	164
Poles	11	12	13	14	15	16	17	18	19
A	168	182	196	210	224	238	252	266	280
B	178	192	206	220	234	248	262	276	290
Poles	20	21	22	23	24				
A	294	308	322	336	350				
B	304	318	332	346	360				

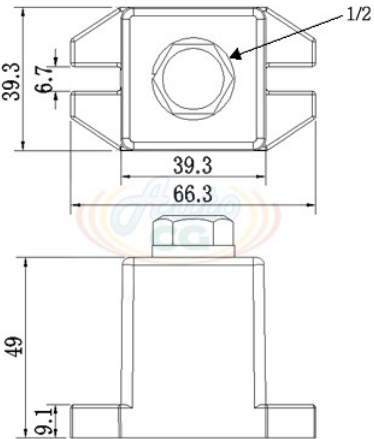


**CB8-T25-C1**

Single Terminal T25

Item NO.	CB8-T25
Housing Material	Phenolic, Black
Screw	Steel 5/16

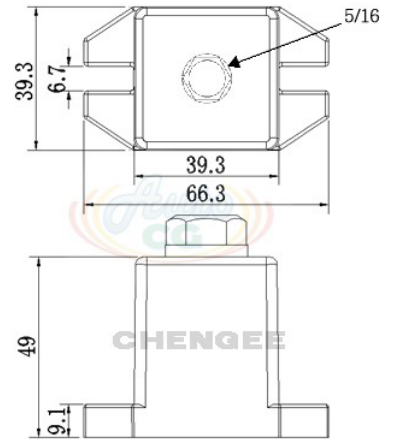
Unit : mm



**CB8-T40-C1**



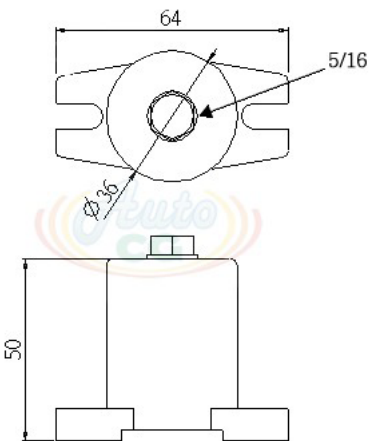
**CB8-T40-C2**



**CB8-T40 Series**/Single Terminal T40

CB8-T40-C1	Item NO.	CB8-T40-C2
Phenolic, Black	Housing Material	Phenolic, Black
Steel 1/2	Screw	Steel 5/16

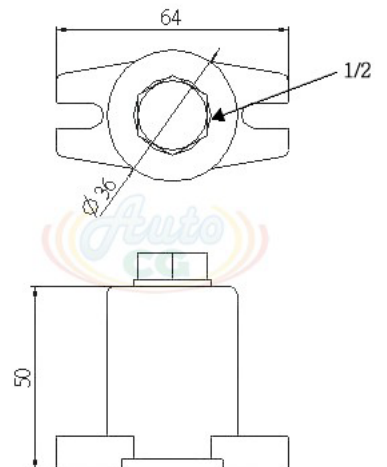
Unit : mm



**CB8-T40-C3**



**CB8-T40-C4**



**CB8-T40 Series**/Single Terminal T40

CB8-T40-C3	Item NO.	CB8-T40-C4
Phenolic, Black	Housing Material	Phenolic, Black
Steel 5/16	Screw	Steel 1/2

Unit : mm