

M E L
B Y
E

RAYCORE

Q3-S352 V1.1E

Specification of Non-managed PoE fiber switch with 24 ports 10/100/1000M RJ45 ports and 2 ports 1000M uplink SFP fiber slot ports, port 1-24 can support IEEE 802.3af/at PoE standard, support 1U/19 inch rack installation

Part Number: AVSR-1TB2-00x3A-01



The AVSR-1TB2-00x3A-01 series is a full gigabit unmanaged PoE fiber switch. It has 24 ports 10/100/1000M RJ45 ports and 2 ports 1000M SFP slot ports. Port 1-24 can support IEEE 802.3af/at standard PoE power supply. single port PoE power reaches 30W, and the maximum PoE output power is 400W(at-600W). As a PoE power supply device, it can automatically detect and recognize the power receiving equipment that meets the standard and supply power through the network cable. It can supply power to POE terminal equipment such as wireless AP, webcam, VoIP, visual intelligent building intercom through network cable, and meet the network environment that needs high-density PoE power supply. It is suitable for hotel, campus, factory dormitory and small and medium-sized enterprises.

Features

- Full gigabit access, gigabit (TP/SFP) port uplink
 - All series supports "gigabit Ethernet port and gigabit SFP fiber port" combination, which enables users to flexibly build networking to meet the needs of various scenarios.
 - Support non-blocking wire speed forwarding.
 - Support full duplex based on IEEE802.3x and half duplex based on backpressure.
- Intelligent PoE power supply
 - 24 ports 10/100/1000Base-T RJ45 ports support PoE power supply to meet the needs of PoE power supply in security monitoring, teleconferencing systems, and wireless coverage.
 - Conforms to the IEEE 802.3af/at PoE power supply standard, automatically recognizes PoE devices for power supply, without damaging non-POE devices. The maximum POE output power of the entire device reaches 400W(at-600W), and the maximum POE output power of a single port is 30 W.
 - The PoE port supports the priority mechanism. When the remaining power is insufficient, the power supply of the high-priority port is preferentially guaranteed to prevent the device from being overloaded.



- The equipment is stable and reliable
 - The host has low power consumption, active cooling design of the fan, galvanized steel and metal casing, and super heat dissipation to ensure stable operation of the product.
 - The equipment fully meets the requirements of CCC; CE, FCC and RoHS safety regulations, and is safe and reliable.
 - AC/DC power supply, high redundancy design, provides long-term stable PoE power output.
- Easy to operate
 - Plug and play, no configuration, simple and convenient.
 - The user can easily understand the working status of the device through the power indicator (PWR), port status indicator, and PoE operation indicator.

Specifications

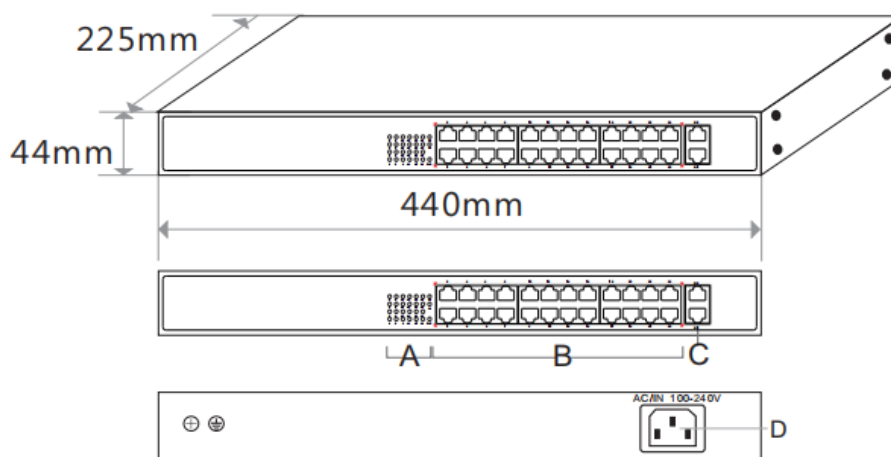
Model	AVSR-1TB2-0013A-01	AVSR-1TB2-0023A-01
Interface	24*10/100/1000Base-T PoE ports (Data /Power) 2*1000Base-X uplink SFP ports (Data)	
POE Port	Port1-24 can support POE @ IEEE802.3af/at	
Network Protocol	IEEE802.3 10BASE-T; IEEE802.3i 10Base-T; IEEE802.3u 100Base-TX IEEE802.3ab 1000Base-T IEEE802.3z 1000Base-X IEEE802.3x	
PoE Standard	IEEE802.3af/at international standard	
Ethernet Port Feature	Port 1-24 can support 10/100/1000Base-T, auto-sensing, full/half duplex MDI/MDI-X	
Fiber Port Feature	Gigabit SFP optical fiber interface, default matching optical modules, need to buy separately, (Optional single-mode / multi-mode, single fiber / dual fiber module, LC).	
Forwarding Mode	Store and Forward (Full wire speed)	
Switching Capacity	52Gbps	
Forwarding Rate@64byte	38.69Mpps	
MAC	8K	
Buffer Memory	4M	
Twisted Pair Transmission	10BASE-T: Cat3,4,5 UTP (≤100 meter) 100BASE-TX: Cat5 or later UTP (≤100 meter) 1000BASE-T: Cat5e or later UTP (≤100 meter)	
Optical Fiber cable	Multi-mode:850nm 0~550M.Single-mode:1310nm 0~40KM,1550nm 0~120KM.	
Power Supply Pin	Default: 1/2(+),3/6(-)	



M E L B Y E

Max /Average Power Per Port	30W/15.4W	30W/30W
Total PWR / Input Voltage	400W (AC100-240V)	600W (AC100-240V)
Power Consumption	Standby<25W; Full load<380W	Standby<26W; Full load<600W
LED indicator	Power Indicator: PWR (green) UTP PoE-Link/Act indicator: 1~24(green) @10/100/1000M Fiber Link/Act indicator: SFP1/SFP2(green) @1000M	
Power Supply	Built-in power supply, AC 100~240V 50-60Hz 5A	Built-in power supply, AC 100~240V 50-60Hz 6.6A
Operation TEMP / Humidity	-20~+55°C;5%~90% RH Non condensing	
Storage TEMP / Humidity	-40~+75°C;5%~95% RH Non condensing	
Dimension (LxWxH)	440x225x44mm	440x290x44mm
Net / Gross Weight	<2.8kg / <3.3kg	<3.8kg / <4.5kg
Inner Box Dimensions (LxWxH)	473x308x96mm	
Installation Method	desktop type, wall mounted,19 inch 1U cabinet installation	
Lightning protection / protection level	Port Lightning Protection: 4KV 8/20us; Protection Level: IP30	
Certification	CCC; CE mark, commercial; CE/LVD EN60950; FCC Part 15 Class B; RoHS	

Dimensions



A. Working indicator

B. 24* PoE Port

C. 2* Gigabit SFP Port

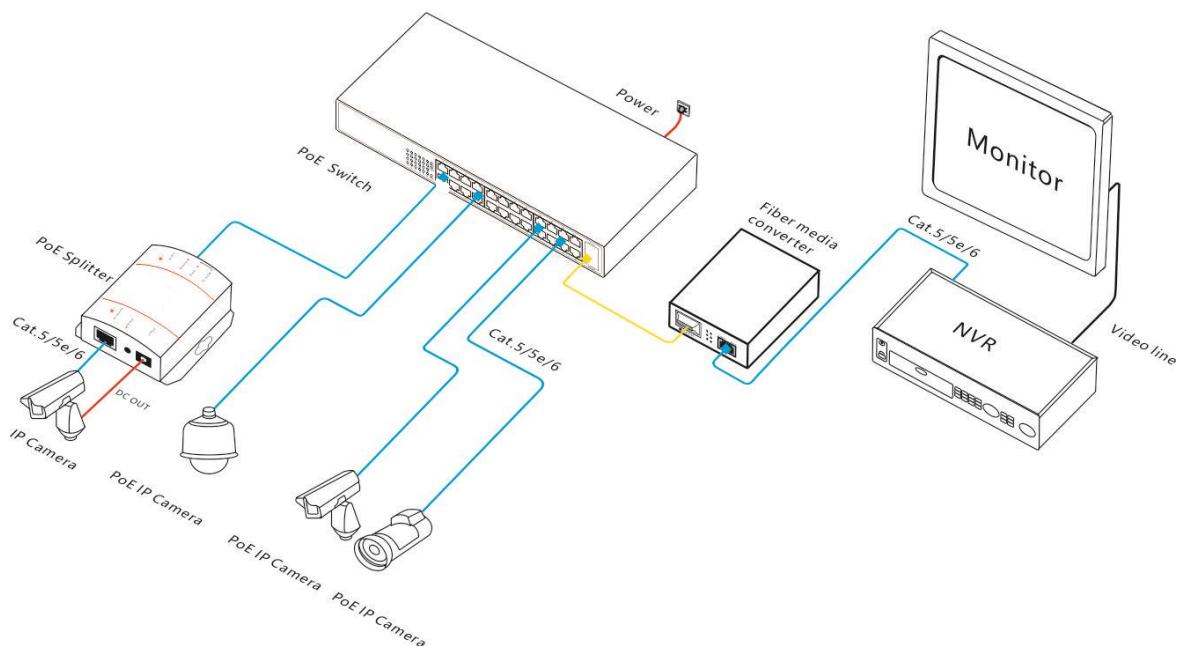
D. AC100-240V, 50/60Hz

RAYCORE

Raycore is a fiber optic product brand name of Melbye Skandinavia AS. This Specification is subject to change without notice. Please visit our website www.melbye.com.tw for most update information and specification. Copyright © 2012 Melbye Raycore Taiwan Co., Ltd. All rights reserved.



Application



Packing list

	CONTENT	QTY	UNIT
PACKING LIST	26-Port full gigabit PoE fiber switch (AVSR-ITB2-00x3A-01)	1	SET
	AC power cable	1	PC
	Mounting Kits (Hanging Ear)	1	SET

Note: PoE switch does not match SFP module by default. If you need to purchase it, please refer to the accessory product information.

Ordering information

Part Number	Description
AVSR-ITB2-0013A-01	Unmanaged PoE fiber switch with 24*10/100/1000M RJ45 ports and 2*1000M uplink SFP fiber slot ports, port 1-24 can support IEEE 802.3af/at PoE standard, Built-in 400W power supply. Support 1U/19 inch rack installation.
AVSR-ITB2-0023A-01	Unmanaged PoE fiber switch with 24*10/100/1000M RJ45 ports and 2*1000M uplink SFP fiber slot ports, port 1-24 can support IEEE 802.3af/at PoE standard, Built-in 600W power supply. Support 1U/19 inch rack installation.

