

M E L
B Y
E

RAYCORE

Q3-S152 V3.1E

Specification of 1xN/2xN PLC
Splitter Mini Module (900um
Cable) (Mini Module Type)

Part Number: ASPP-xxxx-EQ9xx-00



Planar Lightwave Circuit (PLC) splitter is a type of optical power management device that is fabricated using silica optical waveguide technology. It features small size, high reliability, wide operating wavelength range and good channel-to-channel uniformity, and is widely used in PON networks to realize optical signal power splitting. Raycore provides whole series of 1xN and 2xN splitter products that are tailored for specific applications. All products meet GR-1209-CORE-2001 and GR-1221-CORE-1999 requirements.

Features

- Low Insertion loss
- Low PDL
- Compact Design
- Good channel-to-channel uniformity
- Wide Operating Wavelength: from 1260nm to 1650nm
- Wide Operating Temperature: from -40°C to 85°C
- High Reliability and Stability

Applications

- FTTX Systems
- PON Networks
- CATV Links
- Optical Signal Distribution

Compliance

- Telcordia GR-1209-CORE-2001
- Telcordia GR-1221-CORE-1999
- RoHS



Specifications

Parameters	1x2	2x2	1x4	2x4	1x8	2x8
Operating Wavelength (nm)	1260~1650					
Insertion Loss (dB)	4.0	4.2	7.3	7.8	10.5	11.2
Loss Uniformity (dB)	0.4	0.6	0.6	1.0	0.8	1.2
Return Loss (dB)	50					
Polarization Dependent Loss (dB)	0.2	0.2	0.2	0.2	0.2	0.3
Directivity (dB)	55					
Wavelength Dependent Loss (dB)	0.3	0.3	0.3	0.4	0.3	0.5
Temperature Stability (-40~85°C) (dB)	0.4	0.4	0.4	0.4	0.4	0.4
Operating Temperature (°C)	-40~85					
Storage Temperature (°C)	-40~85					
Mini-Module Dimension (mm) (LxWxH)	60x7x4					

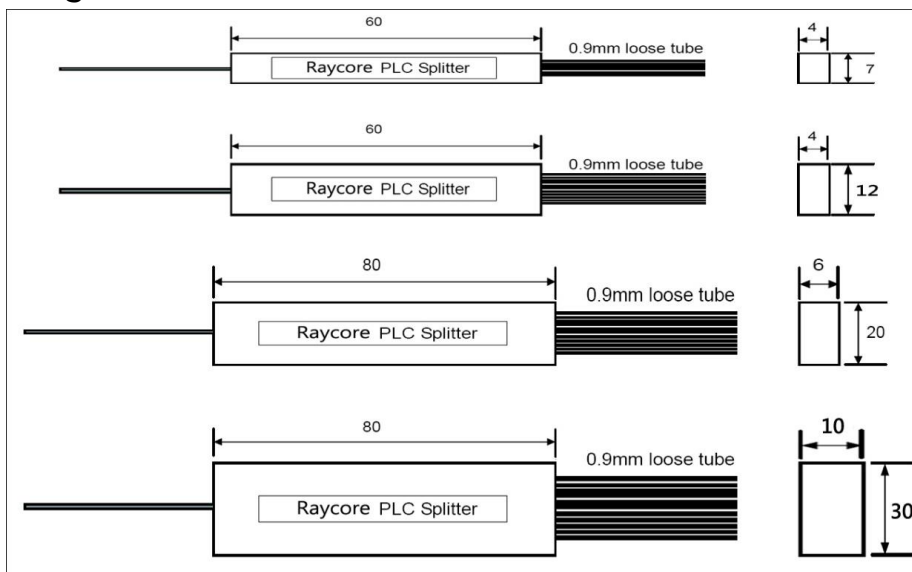
Parameters	1x16	2x16	1x32	2x32	1x64	2x64
Operating Wavelength (nm)	1260~1650					
Insertion Loss (dB)	13.7	14.6	16.9	17.9	21.0	21.5
Loss Uniformity (dB)	1.2	1.5	1.5	2.0	2.0	2.2
Return Loss (dB)	50					
Polarization Dependent Loss (dB)	0.25	0.3	0.3	0.4	0.35	0.4
Directivity (dB)	55					
Wavelength Dependent Loss (dB)	0.5	0.5	0.5	0.5	0.5	0.5
Temperature Stability (-40~85°C) (dB)	0.5	0.5	0.5	0.5	0.5	0.5
Operating Temperature (°C)	-40~85					
Storage Temperature (°C)	-40~85					
Mini-Module Dimension (mm) (LxWxH)	60x12x4		80x20x6		80x30x10	

Notes:

1. Specified without connectors.
2. Add an additional 0.2dB loss per connector.



Drawing



Ordering Information

Part Number	Description
ASPP-1xx2-EQ9xx-00 xx: 02, 04, 08, 16, 32, 64	1xN PLC Splitter Mini Module (900µm cable) with SC/APC connector Cable Length: Customized
ASPP-1xx1-EQ9xx-00 xx: 02, 04, 08, 16, 32, 64	1xN PLC Splitter Mini Module (900µm cable) with SC/PC connector Cable Length: Customized
ASPP-1xx3-EQ9xx-00 xx: 02, 04, 08, 16, 32, 64	1xN PLC Splitter Mini Module (900µm cable) with LC/PC connector Cable Length: Customized
ASPP-2xx2-EQ9xx-00 xx: 02, 04, 08, 16, 32, 64	2xN PLC Splitter Mini Module (900µm cable) with SC/APC connector Cable Length: Customized
ASPP-2xx1-EQ9xx-00 xx: 02, 04, 08, 16, 32, 64	2xN PLC Splitter Mini Module (900µm cable) with SC/PC connector Cable Length: Customized
ASPP-2xx3-EQ9xx-00 xx: 02, 04, 08, 16, 32, 64	2xN PLC Splitter Mini Module (900µm cable) with LC/PC connector Cable Length: Customized

Cable Length (xx): 01-10cm, 05-50cm, 10-1m, 15-1.5m, 20-2.0m, 30-3.0m...

