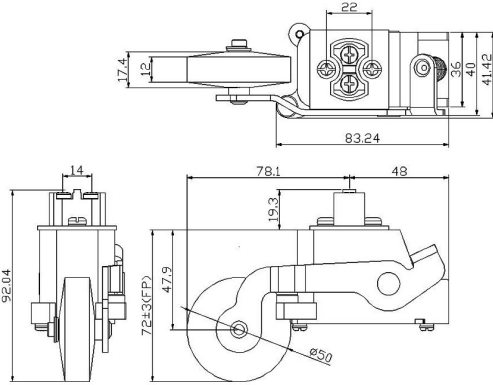


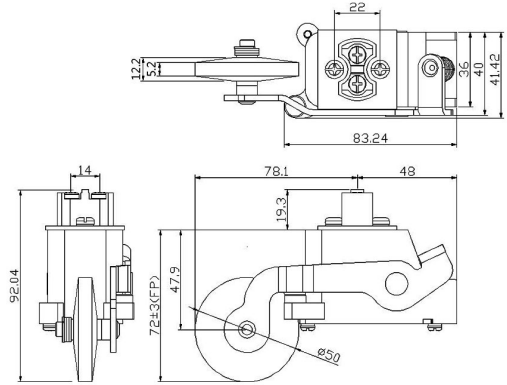


CE1 Series 大輪型(Big Roller)



CE2 Series 小輪型(Small Roller)

Unit : mm



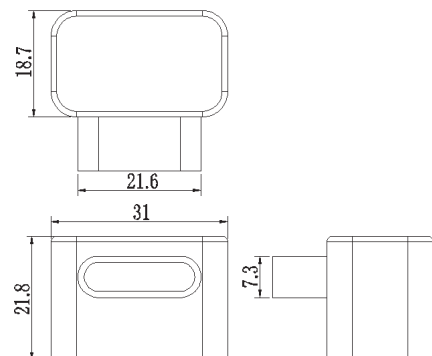
Made in Taiwan

Product Type	電梯用零件
Model Number	CE1-A : Big Roller, NO(1a) CE1-B : Big Roller, NC(1b) CE2-A : Small Roller, NO(1a) CE2-B : Small Roller, NC(1b)
Material Quality	Phenolic, Black
Contact Resistance	50mΩ under
Dielectric Resistance	more than 100MΩ (500VDC)
Endures Voltage	2000VDC 50/60Hz Continuum/One minute
Use Ambient Temperature	10~80°C
Uses Surrounding Humidity	45%~80%RH
Actions Distance	8mm under
動作後行程	more than 25mm
Roller Size	CE1 Series: Diameter 50mm × 12mm CE2 Series: Diameter 50mm × 5.2mm
Weight	250g
Product Packing Way	25 pcs. / inner box (28cm x 20cm x 20cm), 4 inner boxes/CTN, each CTN about 2 FTQ.

B-CE1-4



Waterproof Protection Cover





1307



1308



1701



1702



1703

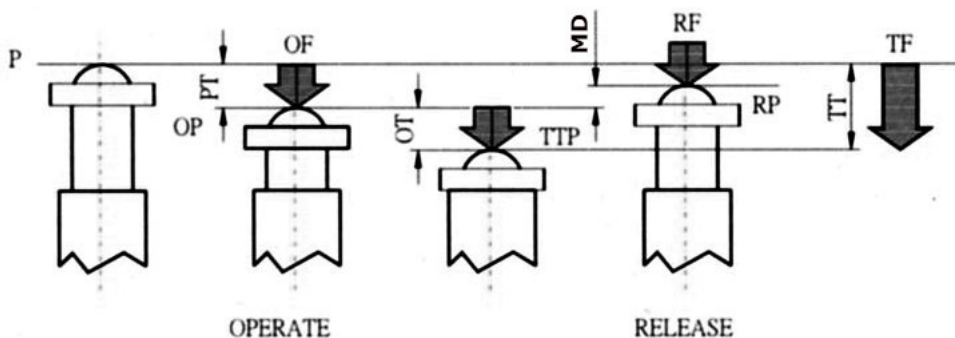


1704

- » Wide choice of heads and actuators.
- » Momentary contacts.
- » Completely sealed constructure.
- » Temperature range +5°F to +175°F (-15°C to +80°C).
- » Soldering terminal or fast terminal.

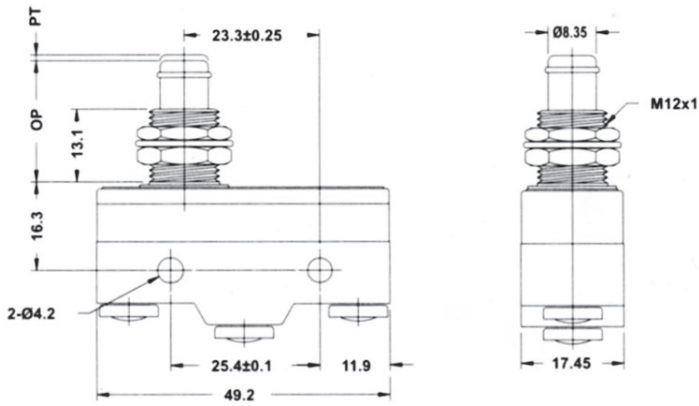
Rating	15A 125 or 250V AC
	1/8 HP 125V AC
	1/4 HP 250V AC
	1/2 A 125V DC
	1/4 A 250V DC

Operating speed	0.01mm to 1m/sec
Operating frequency	Mechanically: 240 operations/min. Electrically: 20 operations/min.
Contact resistance	15MΩ max.(initial)
Insulation resistance	100MΩ min. (at 500V DC)
Dielectric strength	<ul style="list-style-type: none"> • 1,000VAC, 50/60Hz for 1 minute between non-continuous terminals • 2,000VAC, 50/60Hz for 1 minute between current-carry part and ground
Vibration	Malfunction durability: 10 to 55Hz 1.5mm double amplitude
Shock	<ul style="list-style-type: none"> • Mechanical durability: Approx. 1,000m/ sec² (approx.100G's) • Malfunction durability: Approx. 300m/ sec² (approx.30G's)
Ambient operating temperature	General purpose type: -25°C to +80°C Sealed type: -15°C to +80°C
Humidity	General purpose type: 85% RH max Sealed type: 95% RH max
Service life	Mechanically: 20,000,000 operations min Electrically: 500,000 operations min.



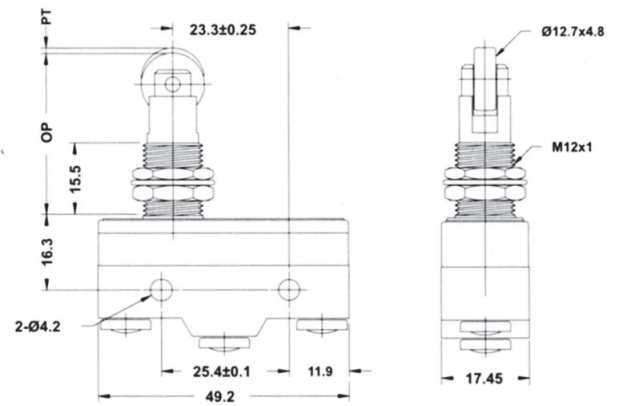
Action Feature related terms

OF: Operating Force	OP: Operating Position	OT: Overtravel
RF: Releasing Force	RP: Releasing Position	MD: Movement Differential
TF: Total Force	TTP: Total Travel Position	TT: Total Travel
FP: Free Position	PT: Pretravel	



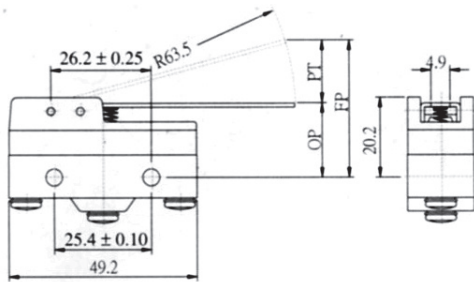
CEA-1307

OF	250g-350g	OT min.	5.5mm
RF min.	114g	MD max.	0.05mm
PT max.	0.1mm	OP	21.8±0.8mm



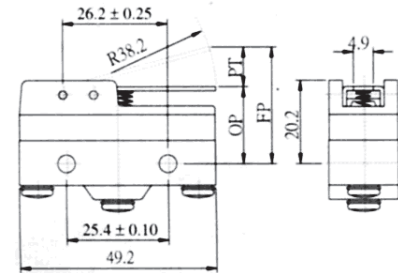
CEA-1308

OF	250g-350g	OT min.	3.58mm
RF min.	114g	MD max.	0.05mm
PT max.	0.4mm	OP	33.4±1.2mm



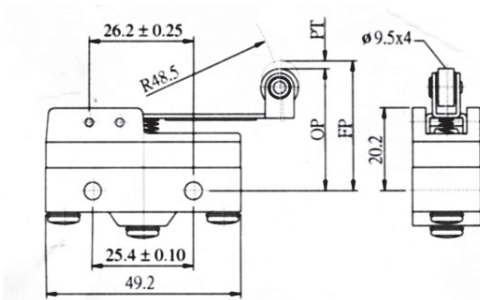
CEA-1701

OF max.	70g	OT min.	5.6mm
RF min.	14g	MD max.	1.27mm
PT max.	10mm	FP max.	28.2mm
OP		19±0.8mm	



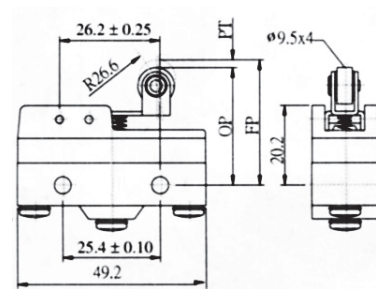
CEA-1702

OF max.	120g	OT min.	3.0mm
RF min.	20g	MD max.	1.0mm
PT max.	7.9mm	FP max.	26.2mm
OP		19±0.8mm	



CEA-1703

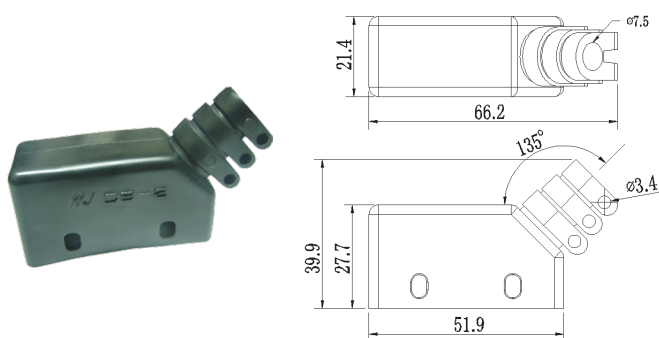
OF max.	100g	OT min.	4.0mm
RF min.	21g	MD max.	1.6mm
PT max.	7.1mm	FP max.	36.5mm
OP		30.2±0.8mm	



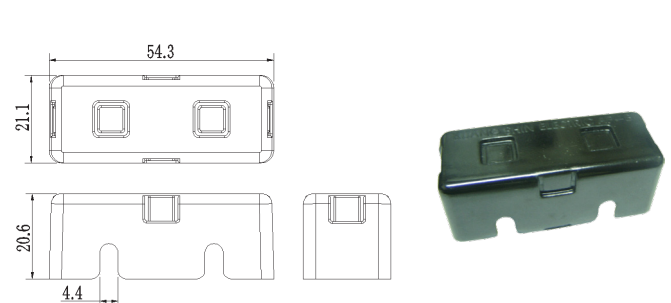
CEA-1704

OF max.	160g	OT min.	2.4mm
RF min.	42g	MD max.	0.5mm
PT max.	3.5mm	FP max.	34.5mm
OP		30.2±0.8mm	

CEA-A 微動開關保護套(橡膠) Protection Cover



CEA-B 微動開關保護蓋(電木) Protection Cover



Unit : mm



8104



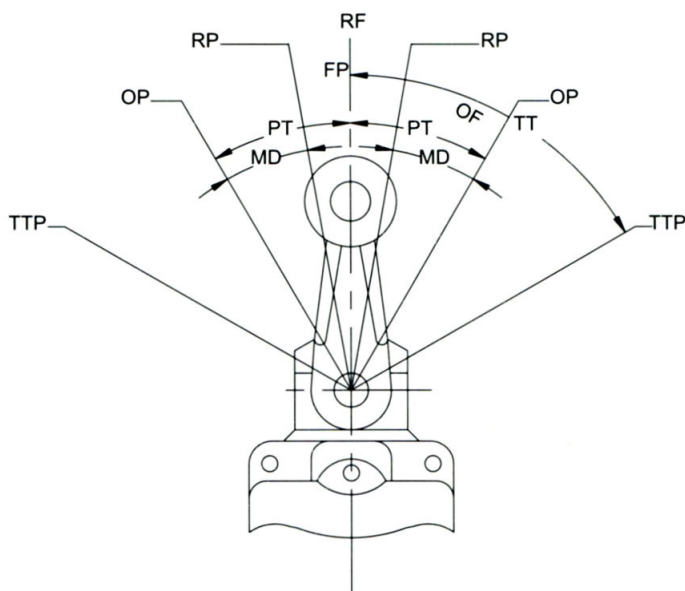
8108

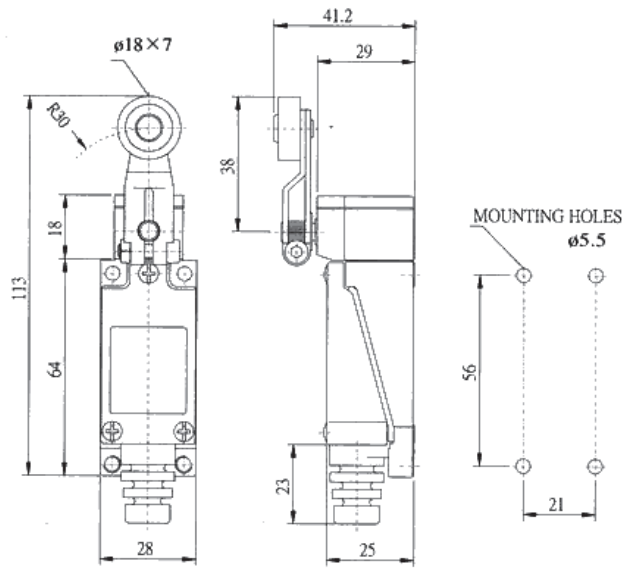
- » Wide choice of heads and actuators.
- » Variety of operating characteristics.
- » Internal grounding screw.
- » Dusrproof, Oil-Tight, Water-resistant.
- » Temperature range +5°F to +160°F (-15°C to +70°C).

Rating	5A 250V AC, 0.4A 115V DC
Operating speed	0.5mm to 50m/sec
Operating frequency	Mechanically: 120 operations/min. Electrically: 30 operations/min.
Contact resistance	15MΩ max.(initial)
Insulation resistance	100MΩ min.(at 500V DC)
Dielectric strength	<ul style="list-style-type: none"> • 1,000VAC, 50/60 Hz for 1 minute between non-continuous terminals • 1,500VAC, 50/60 Hz for 1 minute between each terminal and noncurrent carrying metal part and between each terminal and ground.
Vibration	Malfunction durability: 10 to 55Hz; 1.5mm double amplitude
Shock	Mechanical durability: Approx.1,000m/ sec ² (approx.100G's) Malfunction durability: Approx.300m/ sec ² (approx.30G's)
Ambient operating temperature	Operating: -5°C to +65°C
Humidity	95% RH max
Service life	Mechanically: 10,000,000 operations min Electrically: 500,000 operations min.
Degree of protection	IP65

Action Feature related terms

OF	Operating Force
RF	Releasing Force
TF	Total Force
FP	Free Position
OP	Operating Position
RP	Releasing Position
TTP	Total Travel Position
PT	Pretravel
OT	Overtravel
MD	Movement Differential
TT	Total Travel

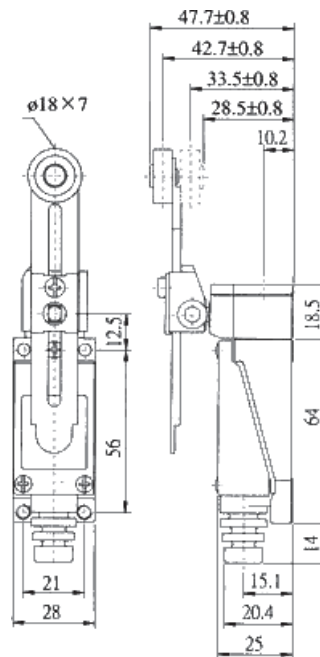




CEA-8104

Unit : mm

OF max.	600g	OT min.	75°
RF min.	50g	MD max.	10°
PT max.	20°	TT min.	95°



CEA-8108

Unit : mm

OF max.	340g	OT min.	75°
RF min.	21g	MD max.	10°
PT max.	20°	TT min.	95°

押扣開關 **Press-Retaining Switch** CGB Series



Made in Taiwan

CGB-2-2

CGB-3-1

CGB-3-2

按鍵形式	UP-DOWN, 方形按鍵	UP-STOP-DOWN, 圓形按鍵	UP-STOP-DOWN, 方形按鍵
產品尺寸	80mm x 42.1mm x H38.8mm	100mm x 42.1mm x H38.8mm	100.3mm x 42.1mm x H36.6mm
規格說明	2NO, 3A 250V	2NO-1NC, 3A 250V	2NO-1NC, 3A 250V

前踩式腳踏開關 **Foot Switches** CN1 Series 踏板開關

CN1

Made in Taiwan

Electrical Rating	10A 250VAC
Contact	1A1B
Cover Material	ABS
Color	Gray, Black
Dimension	80mm x 80mm x H30mm

Cable Specifications

- » PVC 0.75mm² 2蕊電纜線
- » PVC 0.75mm² 3蕊電纜線
- » PVC 0.5mm² 2蕊電纜線
- » PVC 0.5mm² 3蕊電纜線
- » 其它規格電線+接頭或由客戶端提供所需電線
- » 歡迎來電洽詢

Unit : mm

