

P12.M1P07.1001

Adjustable Titanium Eye Shield

- Non-reflective, light weight titanium
- Nickel free for patients with allergies/sensitivities
- Durable design for repeated use
- Easy to clean and autoclavable
- Adjustable width for varying face sizes
- Adjustable, elastic cord for a tight, yet comfortable fit
- Easy access to nose and around eyes
- No interference with magnetic fields (ex. CT)
- Custom engraving available



Optical Density (OD):

180-315 D LB10 + IR LB4 (OD10+) **CE**

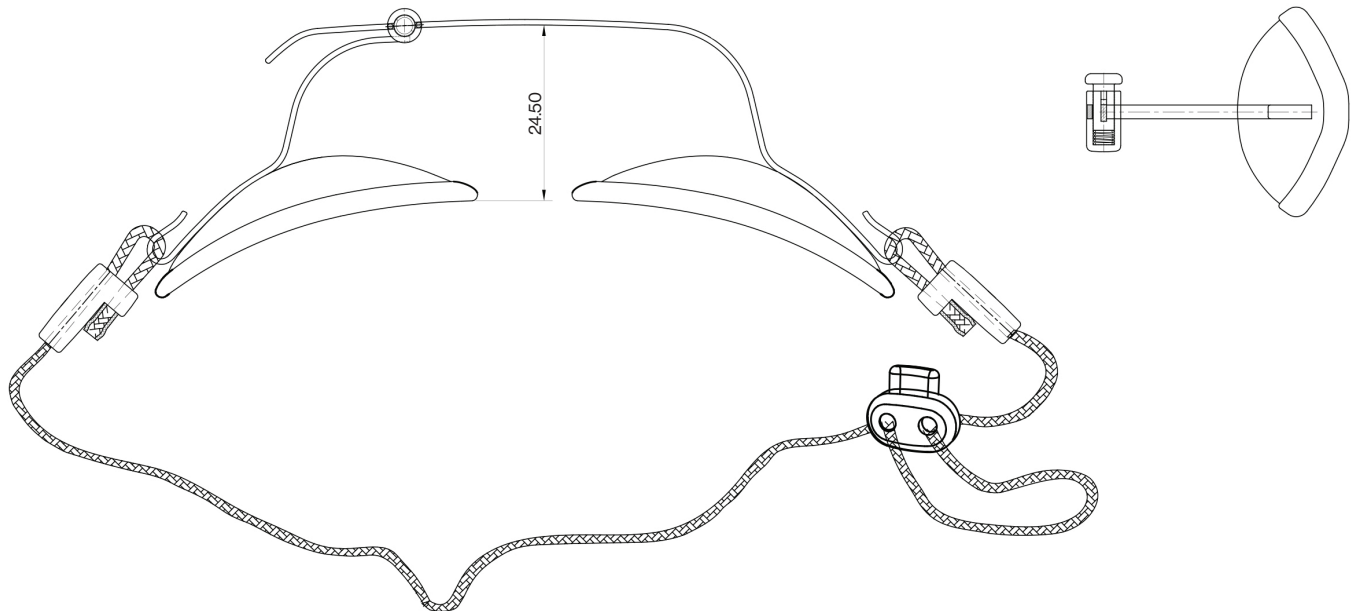
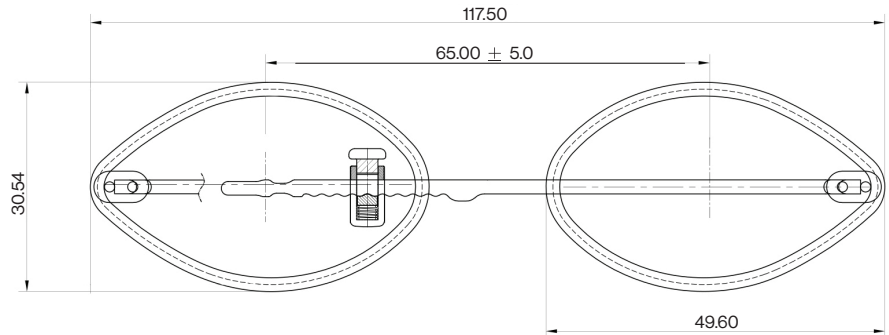
>315-1400 D LB7 + IR LB9 + MLB10 (OD10+)

>1400-25000 DI LB5 + RLB3Y + MLB6Y (OD10+)

LV CE

P11 Specifications

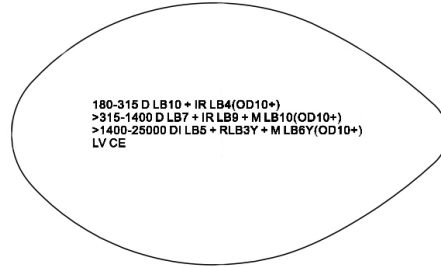
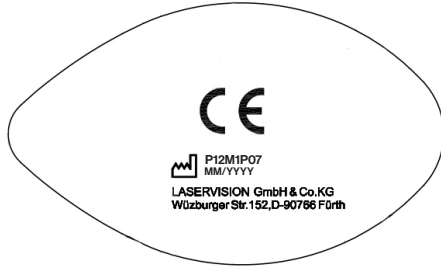
Eye Cap Width	49.6 mm
Eye Cap Height	30.54 mm
Distance Between Caps	Adjustable
Frame Height	30.54 mm
Frame Width	Adjustable
Temple Length	Adjustable strap



Authorized Laservision Signature

Date

Markings:



Inside of shield

Label:

Packaging: Black foam case in outer box



Replacement Parts (Sold Separately):

A99SRING Silicone Rings



For best hygiene practices, laservision USA recommends replacing the rings after each use.