

360 Degree Micro Fisheye IP Camera

5.0 Megapixel / True Day & Night / D-WDR



LC-6882/LC-6884



15° Tilt Mount for 180° Panoramic View

The 360 Degree Micro Fisheye IP Camera can be mounted on any wall and features an ideal 15° tilt Mount for 180° panoramic views.



Application



Features

- 5-megapixel CMOS sensor.
- Simultaneous H.264 / MJPEG video compressions.
- 1.4 mm fisheye lens for 180° panoramic view and 360° surround view.
- Supports digital WDR.
- Supports ePTZ function.
- True day & night.
- Supports live 2-way audio.
- Supports a micro SD/SDHC/SDXC card slot for local storage.
- Provides 3D noise reduction.
- Supports ONVIF.
- Supports Wi-Fi (LC-6882).
- Supports PoE (LC-6884).

Ceiling Mount for 360° Surround View

When mounted on the ceiling, the 360 Degree Micro Fisheye IP Camera provides a 360° surround view.



360° Source view

Quad view

SPECIFICATIONS

Camera

- CPU: Multimedia SoC.
- Flash: 128MB.
- RAM: 512MB.
- Day & Night: Auto/ Day/ Night/ Schedule.
- WDR (Digital Wide Dynamic Range).
- IR Cut Filter
- Image sensor: 1/2.5" Progressive CMOS.
- Lens: Fixed-focal Board Lens f:1.4/ F1.8.
- Minimum illumination: 0.18 Lux @ F2.2 (Color).
- Angle of view: (H) 180°, (V) 180°, (D) 180°.
- Shutter Time: 1/5 sec. to 1/32,000 sec.
- Digital Zoom: 12x.
- S/N Ratio: Above 62 dB.
- Dynamic Range: 57 dB.
- Audio: Microphone and speaker.

Image

- Video Compression: H.264 / MJPEG.
- Resolution:
LC-6882 / LC-6884:1920x1920.
- Video streaming:
 - Simultaneous H.264 and MJPEG.
 - H.264 multicast streaming.
 - JPEG for still images.
- Profiles: 3 (selectable).
- Frame rate: 30FPS.
- Image settings:
 - Brightness, Contrast, Saturation, Sharpness, WDR level, Privacy mask.
- Video management software: SDK, including HTTP-API / ActiveX / ONVIF.

Network

- Protocols: IPv4, HTTPS, HTTP, TCP, UDP, RTP/RTCP/ RTSP, DHCP, NTP, FTP, SMTP, UPnP, ICMP, ARP, DDNS, PPPoE, SAMBA.
- Users: Access by 10 simultaneous users.

Alarm

- Recording: SD card, SAMBA, FTP.
- Pre-alarm recording.
- Advanced motion: (8 windows, Sensitivity: 0~100 %).
- Trigger: Motion detection, Schedule, Alarm input, Ethernet loss, Network/Remote digital alarm input.
- Notification: SD card recording, SMTP, FTP, HTTP.

System Requirements

- Operating System: Microsoft Windows 8/7/Vista/XP SP3.
- Compatible Browsers:
 - Microsoft Internet Explorer 8, Firefox 12, Chrome 20, Safari 4 or above.
 - Other Java-enabled browsers.

Indicators

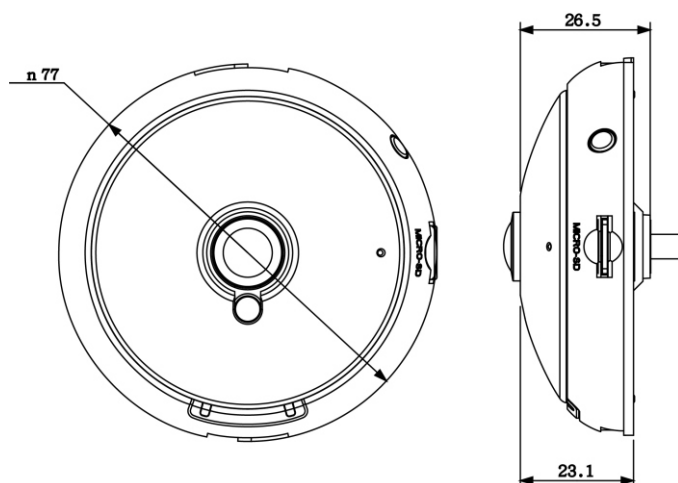
- Supports Power & Network LED.
- Supports WPS LED (LC-6882).

Buttons

- Supports WPS button (LC-6882).

Connectors

- RJ-45: 10/100 BASE-TX Fast Ethernet.
- Local storage: MicroSD/ SDHC/ SDXC Slot.
- Power Input: 5V.
- Power Consumption: Max. 3.6 W.
- Working Temperature: 0°C ~ 40°C (32°F ~ 104°F)
- Approval: CE, FCC, RoHS.
- Dimensions: Ø: 77 mm x26.5 mm.
- Weights: 170 grams (0.375 lb).
- Accessories included:
 - Quick Installation Guide.
 - CD x 1 (includes User's Manual).



*Design and specifications are subject to change without notice.