



LC-6863

Answer the door from anywhere using your mobile phone.

The EyeBell Video Doorcam connects to your home Wi-Fi network and sends a real-time notification to your smart phone when someone is at your door.

The house owner can see the people and speak to them on the smart phone using two-way audio communication.

The EyeBell alerts when someone pushes the bell-button or when motion is detected. From now on, you will never miss a visitor.

Front door



Backyard



Quick Response

Quick response time from pressing the doorbell button to smart phone notification.



Current Temp/ Humidity

Built-in temperature-humidity sensor.



On-demand Video

Look from the camera at any time from the app.



Advanced motion detection

Send a push notification even if a visitor doesn't press the button.



2-way audio

See, hear and speak to your visitor with free app.



White LED Lights

Designed to capture a clear picture of every single one.



Activity List

Watch the recorded footage anytime with cloud recording.



HD Video

Delivers clear high-definition video quality.



Digital WDR

Ensuring exceptional clarity and sharpness especially at dawn.



Free Mobile App

Multiple users can receive calls and alerts.

SPECIFICATIONS

Camera

- Lens: Fixed Wide Angle Lens.
- Wireless: IEEE 802.11b/n/g.

Image

- Video Compression: H.264.
- Resolution:
 - Aspect ratio:
"16:9": 1280x720, 640x352 and 416x240.
- Video streaming: Single-profile.
- Frame rate: 25 fps at 1280x720.
- Image settings:
 - Adjustable Saturation, Sharpness, Contrast and Brightness.
 - Auto Flip & Mirror.
 - Auto AGC, AWB.
 - Auto Exposure Time.

Audio

- Audio streaming: Two-way.
- Inputs: Build-in Microphone & Speaker.

Network

- Security: 3-level password protections, IP address filtering, HTTPS encryption, User access log.
- Protocols: IPv4, HTTPS, HTTP, TCP, UDP, RTSP, RTP, RTCP, DHCP, NTP, FTP, SMTP, UPnP, Samba.
- Users: Access by 3 simultaneous users.
- Firmware update: HTTP.

Alarm

- Recording: Cloud.
- Trigger: Motion detection (PIR).
- Notification: SMTP, FTP, HTTP, Alarm output.
- Build-in PIR sensor (5M).

Indicators

- Supports Power & Net LED.

Buttons

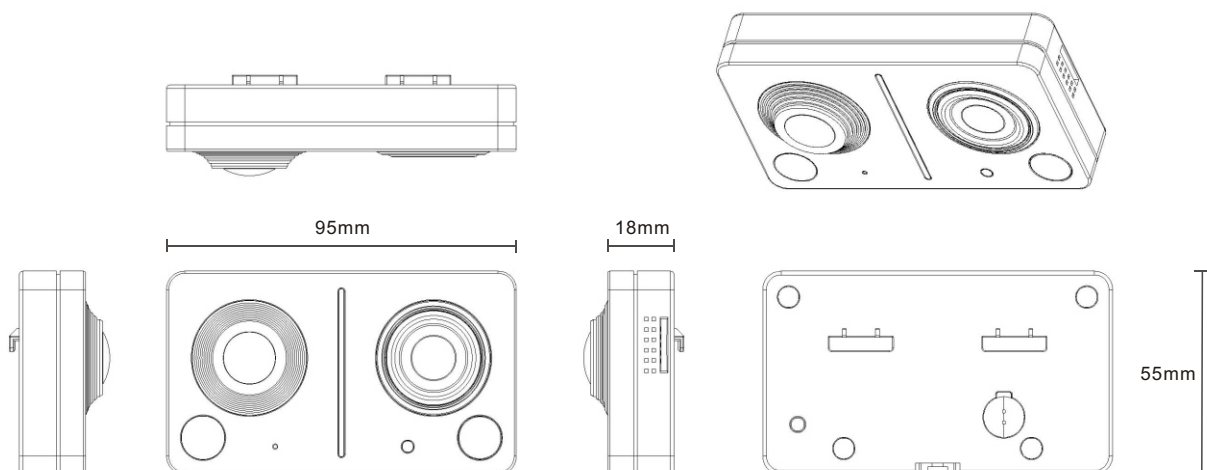
- Supports Reset button(factory default).

Day & Night

- Full-color night vision.
- Supports Light sensor.
- Supports White LED.

General

- Application: Android/ iOS.
- Power:
 - DC 10~36V; AC 10~36V.
- OS: RTOS.
- Operating conditions: -20°C to 50°C(-5°F to 120°F).
- Operating Humidity: 30% to 80%.
- Approvals: CE, FCC, RoHS. IP65.
- Dimensions: 95 x 55 x 18 mm.
- Package Weights: 215g.
- Accessories included:
 - Quick Installation Guide.



*Design and specifications are subject to change without notice.