

Battery-powered Wi-Fi Camera

HD / H.264 / Battery-powered



No more cables, no more limit.

Here's a new camera from APPRO that is powered by batteries and features portability, HD resolution, motion detection, waterproof and night-vision.

The EyeMag Wi-Fi camera has a 130-degree field of view and with a magnetic mounting mechanism. You can mount it everywhere with no fuss. No cords or cables are needed.



Mount with stand



Mount with magnet



HD Video

Delivers clear high-definition video quality.



Greater Field of View

Gives a field of view around 130 degrees.



Magnetic Mounting Mechanism

Moves freely on any metal surfaces.



Battery Power

Energy-efficient design of battery power.



Waterproof

Suitable for outdoor applications.



Motion Alarms

Alarms when motion is detected.



Totally Wire-Free

No cord or cable is needed.



Extremely Portable

Just put it where you want to see.



Easy Installation

Takes only seconds to install.



Free Mobile App

Available on Google Play and APP Store.

HD/ Battery-powered Wi-Fi Camera LC-6161/ LC-6162

SPECIFICATIONS

Camera

- Lens: Fixed Wide Angle Lens.
- Wireless: IEEE 802.11b/g/n.

Image

- Video Compression: H.264.
- Resolution: aspect ratio: "16:9": 1280x720.
- Video streaming: Single-profile.
- Frame rate: 24 fps at 1280x720P.

Audio

- LC-6161: Built-in microphone.
- LC-6162: Built-in microphone & speaker.

Network

- Users: Access by 4 simultaneous users.
- Firmware update: OTA.

Alarm

- Recording: Cloud.
- Trigger: Motion detection (PIR), Low Battery.
- Built-in PIR sensor (5M).

Indicators

- Supports Power & Net LED.

Buttons

- Supports Reset button(factory default).

Day & Night

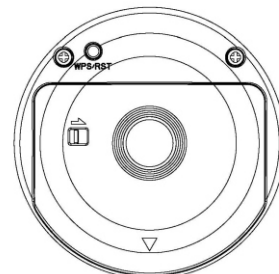
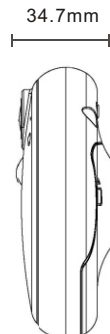
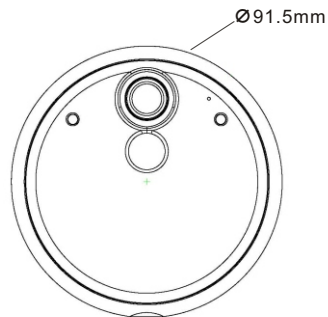
- Supports IR LED.
- Supports IR cut filter.
- Supports light sensor.
- Mode: Auto.

General

- Application: Android/ iOS.
- Power: LC-6161: CR123A Battery x 4.
LC-6162: Rechargeable Battery.
- OS: RTOS.
- Operating conditions: -10°C to 50°C(14°F to 122°F).
- Operating Humidity: 20% to 80%.
- Approvals: CE, FCC, RoHS. IP65.
- Dimensions: LC-6161:91.5 x 34.7 mm.
LC-6162:95.7 x 48.5 mm.
- Package Weight: LC-6161:290g; LC-6162:250g.
- Accessories included:
 - Quick Installation Guide.
 - CD x 1 (includes User's Manual).
 - CR123A x 4.(LC-6161 only)
 - USB cable. (LC-6162 only)
 - Stand.

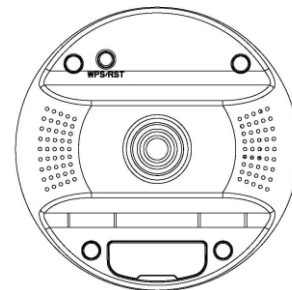
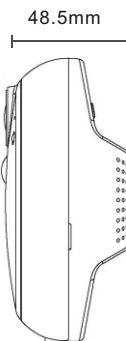
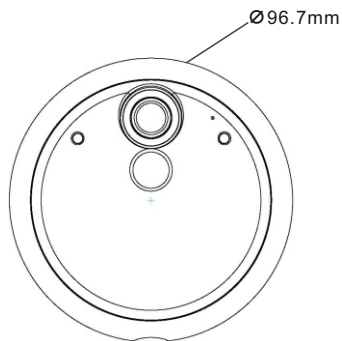
LC-6161

CR123A Battery x 4



LC-6162

Rechargeable Battery



*Design and specifications are subject to change without notice.

APPRO TECHNOLOGY INC.

www.approtech.com

Taiwan Headquarter
13F, No. 66, Zhongzheng Rd., Xinzhuang Dist., New Taipei City, Taiwan.
Tel : 886-2-8992-1177 Fax : 886-2-8992-0077
E-mail : appro@approtech.com
Web site:www.approtech.com

Office in U.S
1180 Miraloma Way Suite E, Sunnyvale, CA 94085.
Tel : 1-408-720-0018 Fax : 1-408-720-0019
E-mail : appro@appro.com
Web site:www.appro-us.com

APPRO[®]
TECHNOLOGY