

# 360 Degree Micro Fisheye IP Camera

3.0 Megapixel / True Day & Night / D-WDR



LC-6887



## 15° Tilt Mount for 180° Panoramic View

The 360 Degree Micro Fisheye IP Camera can be mounted on any wall and features an ideal 15° tilt Mount for 180° panoramic views.



## Application



## Features

## Ceiling Mount for 360° Surrounding View

When mounted on the ceiling, the 360 Degree Micro Fisheye IP Camera provides a 360° surround view.



360° Source view

Quad view

- 3-megapixel CMOS sensor.
- Simultaneous H.264 /MJPEG video compressions.
- 1.1 mm fisheye lens for 180° panoramic view and 360° surround view.
- Supports digital WDR.
- Supports ePTZ function.
- True day & night.
- Supports live 2-way audio.
- Supports a micro SD/SDHC/SDXC card slot for local storage.
- Provides 3D noise reduction.
- Supports ONVIF.
- Supports PoE.

## SPECIFICATIONS

### Camera

- CPU: Multimedia SoC.
- Flash: 32MB.
- RAM: 256MB.
- Day & Night: Auto/ Day/ Night/ Schedule.
- WDR (Digital Wide Dynamic Range).
- IR Cut Filter
- Image sensor: 1/3" Progressive CMOS.
- Lens: Fixed-focal Board Lens f:1.1/ F2.0.
- Minimum illumination: 0.5 Lux @ F2.0 (Color).
- Angle of view: (H) 180°, (V) 180°, (D) 180°.
- Shutter Time: 1/25 sec. to 1/10,000 sec.
- Digital Zoom: 10x.
- Audio: Microphone and speaker.

### Image

- Video Compression: H.264 / MJPEG.
- Resolution: 1920x1536.
- Video streaming:
  - Simultaneous H.264 and MJPEG.
  - H.264 multicast streaming.
  - JPEG for still images.
- Profiles: 3 (selectable).
- Frame rate: Up to 25FPS.
- Image settings:
  - Brightness, Contrast, Saturation, Sharpness.
- Video management software: SDK, including HTTP-API / ActiveX / ONVIF.

### Network

- Protocols: IPv4, HTTPS, HTTP, TCP, UDP, RTP/RTCP/ RTSP, DHCP, NTP, FTP, SMTP, UPnP, ICMP, ARP, DDNS, PPPoE, SAMBA.

### Alarm

- Recording: Micro SD card, SAMBA, FTP.
- Pre-alarm recording.
- Advanced motion: (12 windows, Sensitivity: 0~100 %).
- Trigger: Motion detection, Schedule, System boot, Ethernet loss.
- Notification: SD card recording, SMTP, FTP.

### System Requirements

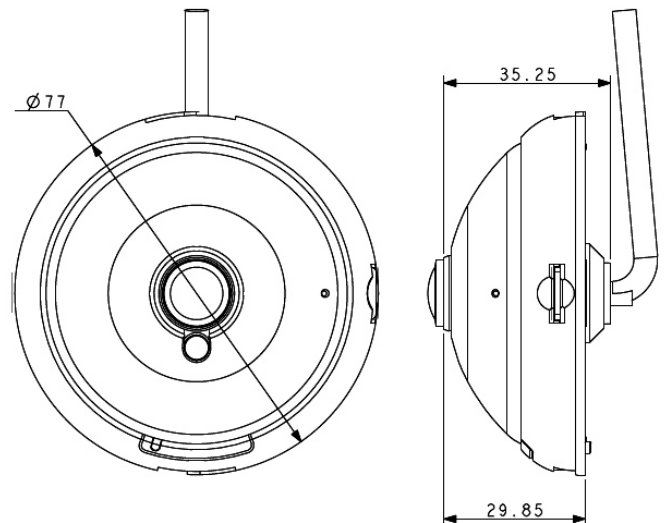
- Operating System: Microsoft Windows 8/7/Vista/XP SP3.
- Compatible Browsers:
  - Microsoft Internet Explorer 8, Firefox 12, Chrome 20, Safari 4 or above.

### Indicators

- Supports Power & Network LED.

### Connectors

- RJ-45: 10/100 BASE-TX Fast Ethernet.
- Local storage: MicroSD/ SDHC/ SDXC Slot.
- Power Input: 12V.
- Power Consumption: Max. 3.6 W.
- Working Temperature: 0°C ~ 40°C (32°F ~ 104°F)
- Approval: CE, FCC, RoHS.
- Dimensions: Ø: 77 mm x 32.25 mm.
- Weights: 170 grams (0.375 lb).
- Accessories included:
  - Quick Installation Guide.
  - CD x 1 ( includes User's Manual ).



\*Design and specifications are subject to change without notice.

APPRO TECHNOLOGY INC.

www.approtech.com

Taiwan Headquarter  
13F, No. 66, Zhongzheng Rd., Xinzhuang Dist., New Taipei City, Taiwan.  
Tel : 886-2-8992-1177 Fax : 886-2-8992-0077  
E-mail : appro@approtech.com  
Web site:www.approtech.com

Office in U.S  
1180 Miraloma Way Suite E, Sunnyvale, CA 94085.  
Tel : 1-408-720-0018 Fax : 1-408-720-0019  
E-mail : approu@aol.com  
Web site:www.appro-us.com

**APPRO**<sup>®</sup>  
TECHNOLOGY