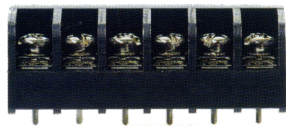


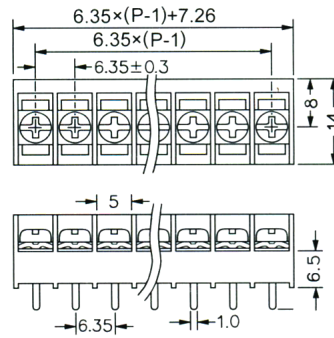
**CBP140**

Made in Taiwan

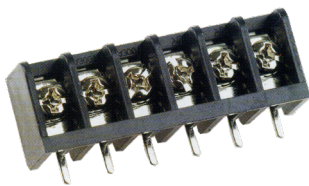
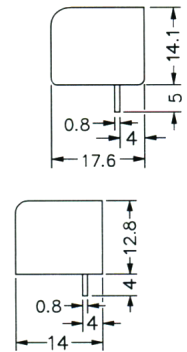
Electrical Rating	10A 300VAC
Housing Material	Plastic NYLON 66, Black (UL 94V-0)
Terminal	Brass, 0.8t Tin Plated
Screw	Steel, M3, Nickel Plated
Working Temperature	-40°C to +105°C
Insulation withstand Voltage	AC2000V at 1 min
Insulation resistance	500MΩ or more at DC 500V
Wire Range	22~12 AWG
Max. Torque Value	10Kg/cm
Number of Poles	2P~32P
Pitch (terminal to terminal)	6.35mm



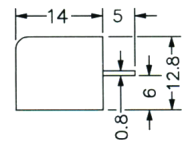
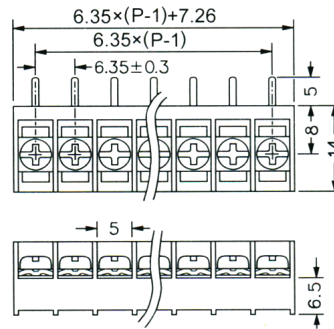
**CBP140-01**



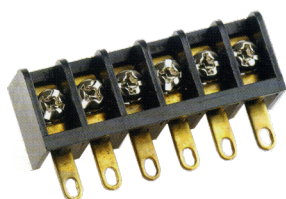
Unit : mm



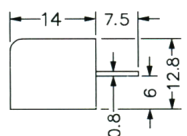
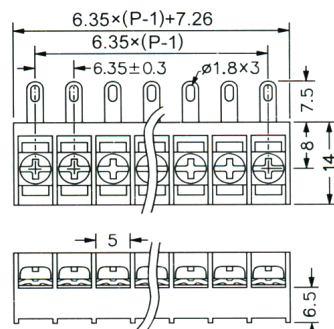
**CBP140-02**

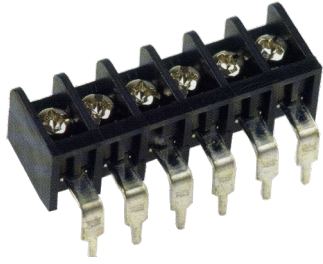


Unit : mm

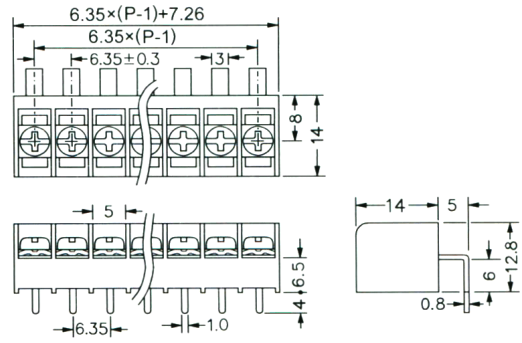


**CBP140-03**





**CBP140-04**



Unit : mm